

Grille Guard Installation Instructions

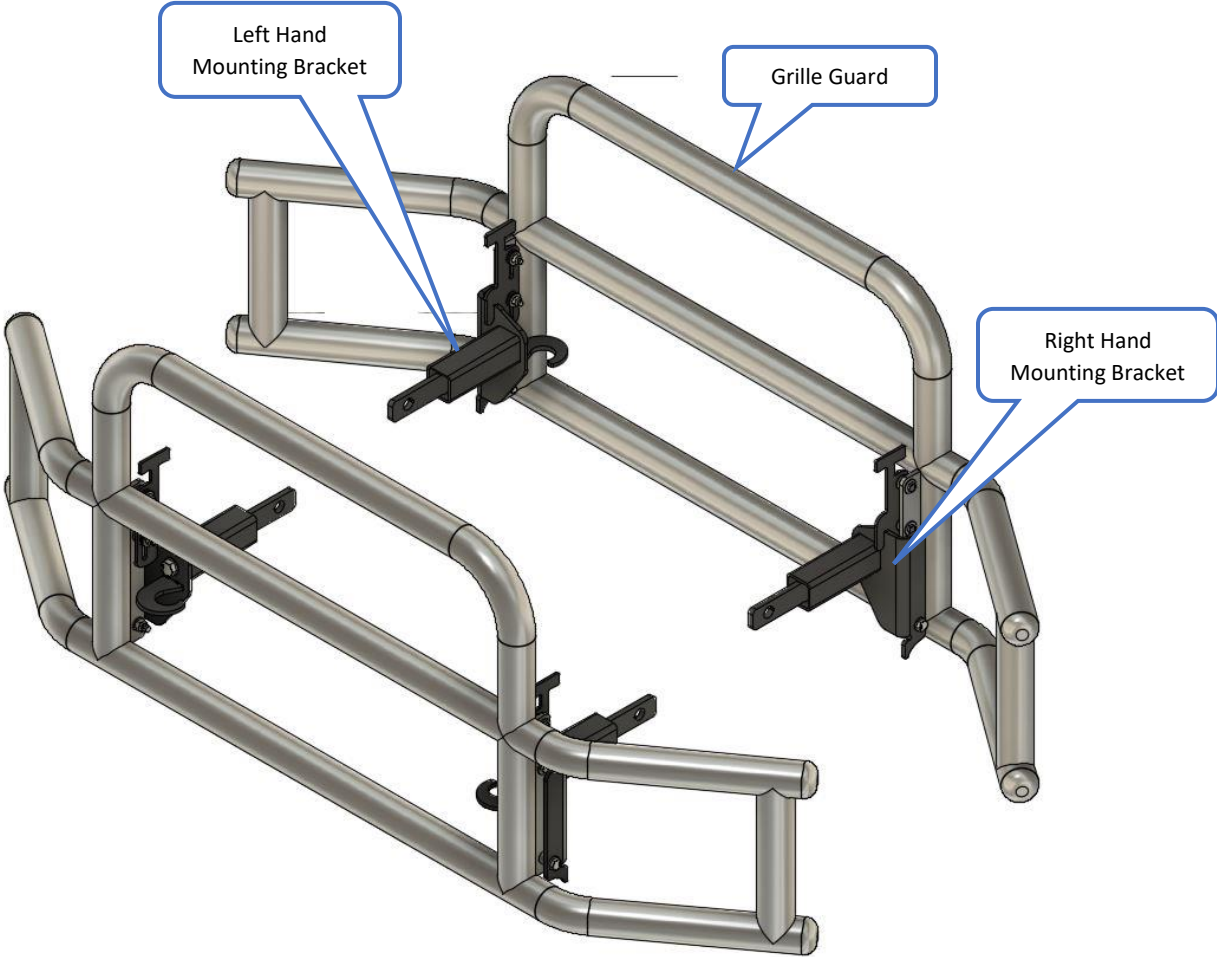


Figure 1 Isometric View

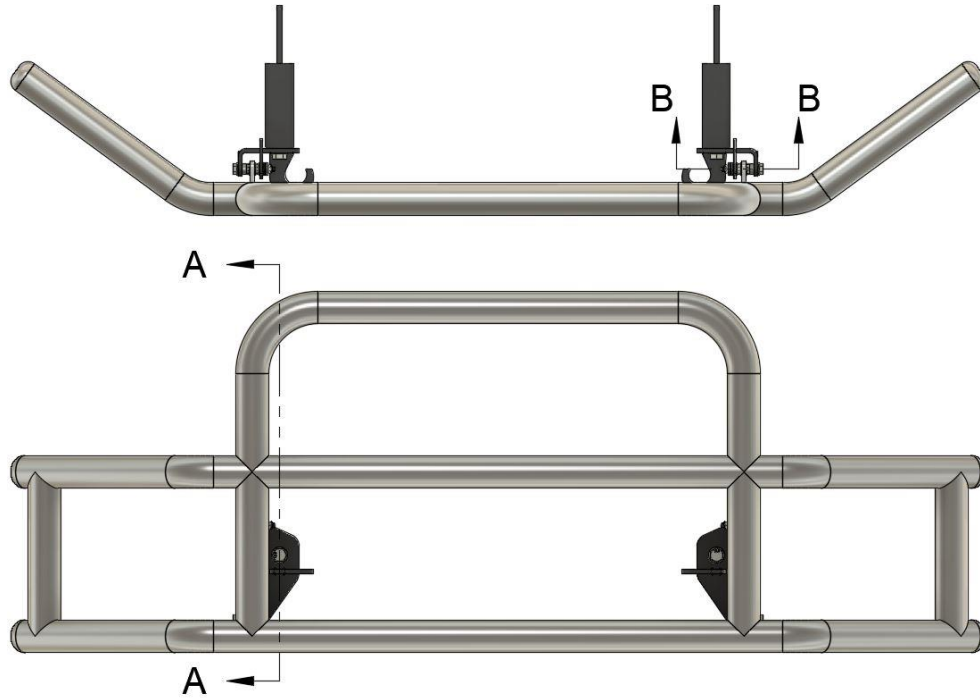
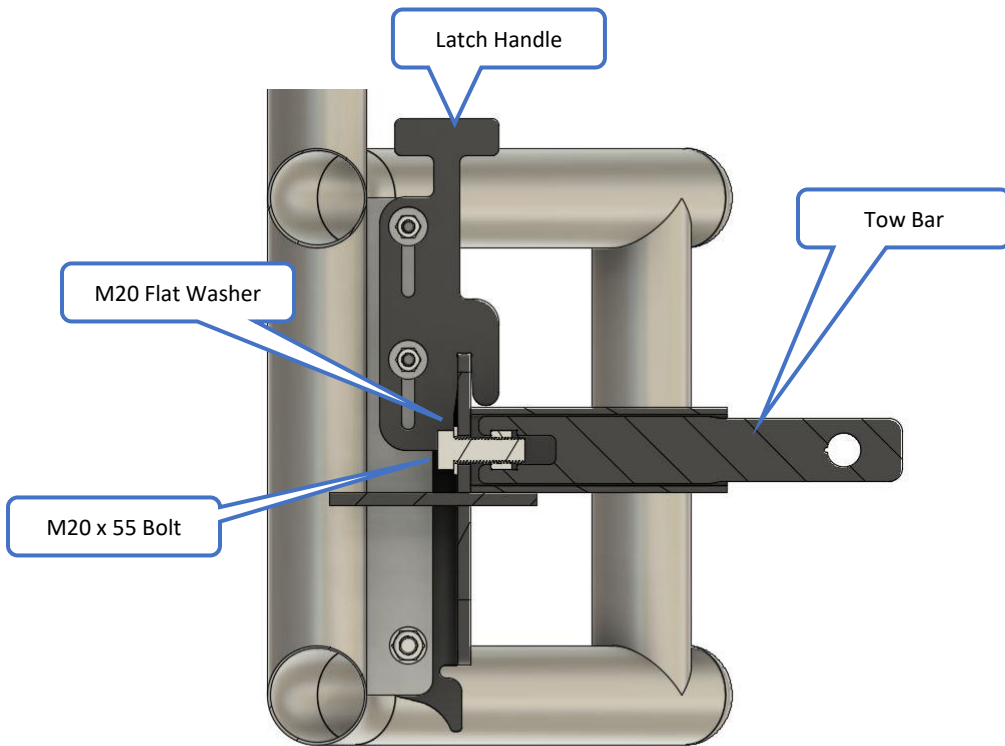
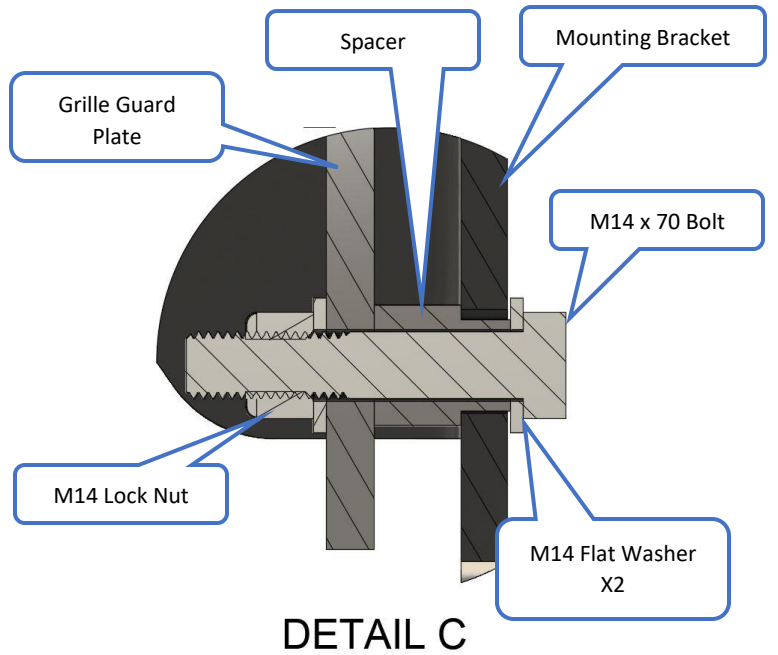
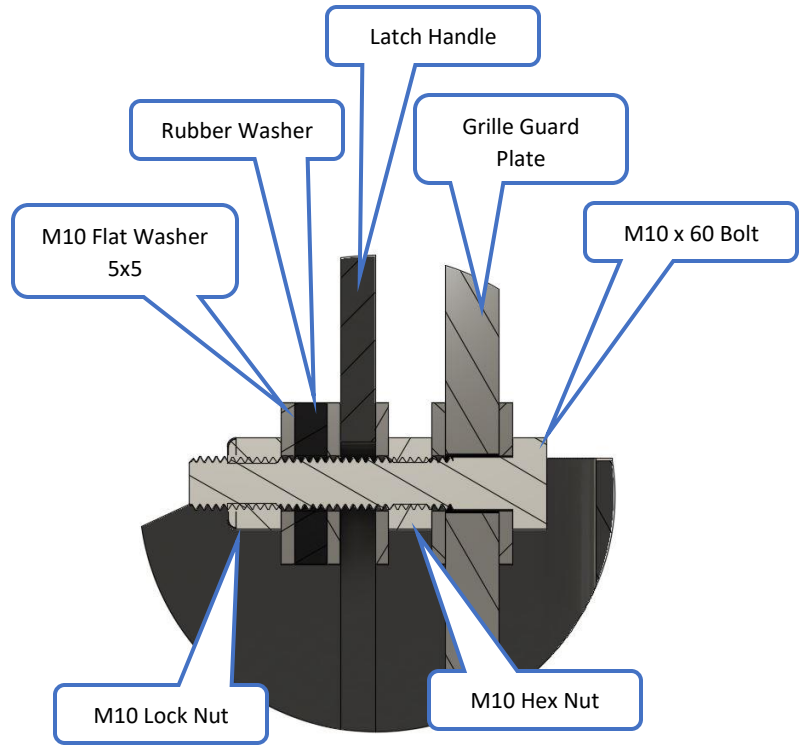
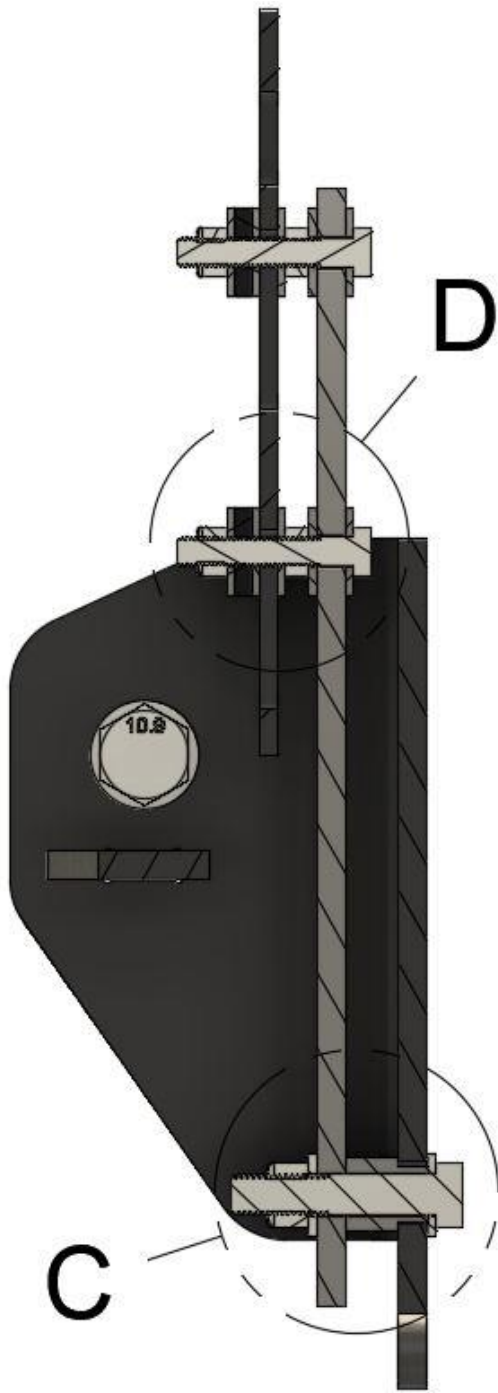


Figure 2 Front and Top View



SECTION A-A



Grille Guard Assembly – Latch Handles

1. Use Detail D as a guide to assemble latch handles.
2. Handles will be installed on the **outside** of the grille guard plates
3. Install the M10 x 60 bolts, 2 M10 flat washers and M10 hex nut. Tighten the nut. Do this to the 4 M10 bolts, 2 per side.
4. Slide on a flat washer on each M10 Bolt.
5. Slide on the 2 latch handles, one per side. Apply a small amount general purpose grease to each side of the handles, around the slots, to assist the handles is sliding.
6. Slide on one M10 flat washer, one rubber washer and one M10 flat washer per M10 bolt.
7. Install the M10 lock nuts. Tighten the lock nuts so that the handles are not loose anymore but can still slide up and down with minimal effort.
8. Test the left and right handles to see if they lock the grille guard in place. If one side can't slide all the way down properly, then latch handles need adjustment.
9. To adjust the handles, loosen both of the M10 hex nut (not the lock nut), using a thin open-ended wrench.
10. Slide the handle up and down until it easily slides over the latch plate on the mounting bracket.
11. Re-tighten the M10 hex nut.

Grille Guard Assembly – Mounting Brackets

12. Orient the left and right-hand mounting brackets on the correct side of the grille guard using Figure 1 as a guide.
13. Mounting brackets will be installed on the outside of the grille guard plates
14. Use Detail C as a guide to assembly mounting brackets hinge bolts.
15. Install M14 bolt, flat washers, spacer and lock nut as per Detail C.
16. Fully tighten the M14 bolt.

Grille Guard Assembly – Tow Bar

17. Use Section A-A as a guide to assemble tow bars to the left and right-hand mounting brackets.
18. Insert the tow bars into the mounting brackets with the M20 bolts and flat washers. One per side.
19. Keep the M20 bolt loose.

Truck Installation

20. Install the mounting brackets and tow bars to the factory tow hook receivers on the truck.
21. Insert the factory tow hook pins.
22. Tighten the M20 bolts, ensure the mounting bracket remains straight.

DETAIL C



DETAIL D

